



# TOPAZ

## TROUGH VALVE



### Description

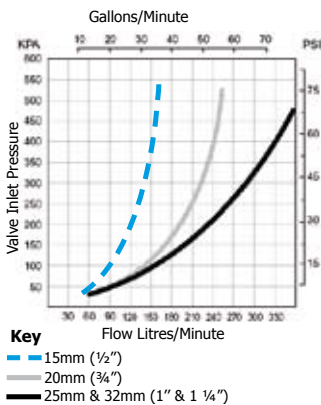
**Topaz trough valves** are float operated valves for use in automatic filling of water troughs, tanks, cisterns etc. The valve is configured for **above or below water mounting**. The float operates a small pilot valve which in turn operates the main diaphragm valve. Topaz trough valves are a good choice where their **high flow**, compact, robust, non corrosive construction and high level of adaptability are needed.

### Applications

Maintaining Water Levels in:

- Animal Drinking Troughs
- Water Storage Tanks
- Water Cisterns
- Air Conditioning Systems
- High Pressure Cleaning Systems
- Irrigation Applications

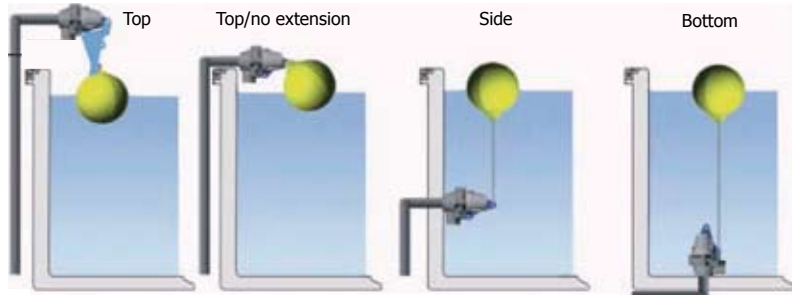
### Flow Graph



### Features


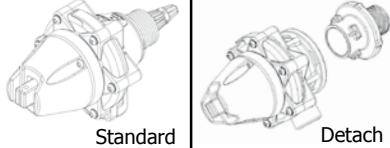










- High flow
- Compact robust construction
- Mounts horizontally or vertically
- Made from corrosion resistant materials
- Shuts down slowly to minimise water hammer
- 20 - 60mm (3/4" - 2 1/2") water level differential (increases as water inlet pressure increases)
- Pressure rating 0.3 - 7 Bar (5 - 100 PSI)
- Float position easily adjustable with no tools
- Valve has switch to lock it in off position
- Has port to connect Frostpro anti freeze device

### Mounting Positions



Note: Some mounting positions may not comply with local regulations.

### Options

	BSP				NPT			 Specifies this Thread size									
	1/2"	3/4"	1"	1 1/4"	1/2"	3/4"	1"										
Inlet Size	1/2"	3/4"	1"	1 1/4"	1/2"	3/4"	1"										
STD Base Short Tail		✓	✓	✓		✓	✓	 Standard      Detach									
Detach Base Short Tail		✓	✓	✓		✓	✓										
Detach Base Long Tail	✓	✓			✓	✓											
<b>Long Tail:</b>	Available only with Detach Base. Supplied with backnut and seal washer. 1/2" Long Tail: 100mm long. 3/4" Long Tail: 38mm long.																
<b>Floats:</b>	125mm wide floats supplied standard. Note: Suitable for any mounting position  70mm and 95mm floats optional Note: Suitable for top entry only.							<table border="1"> <tr> <th>Standard</th> <th>Optional</th> <th>Optional</th> </tr> <tr> <td></td> <td></td> <td></td> </tr> <tr> <td>125mm</td> <td>70mm</td> <td>95mm</td> </tr> </table>	Standard	Optional	Optional				125mm	70mm	95mm
Standard	Optional	Optional															
																	
125mm	70mm	95mm															

### TOPAZ TROUGH VALVE SPECIFICATION

PRODUCT	CODE	INLET SIZE	CODE	OPTIONS	CODE
Topaz Trough Valve	TPV	1/2" bsp/npt	15	Detach Base	D
		3/4" bsp/npt	20	Long Tail Base	LT
		1" bsp	25		
		1" npt	1"	70mm wide Float	F70
		1 1/4" bsp	32	95mm wide Float	F95

(e.g) A Topaz Trough Valve with: 3/4" bsp inlet thread, detach base, long tail thread has the following spec number: **TPV 20 D LT** NOTE: If no options are specified the standard ones will be supplied

Note: Product may differ slightly from these specs due to ongoing product development.