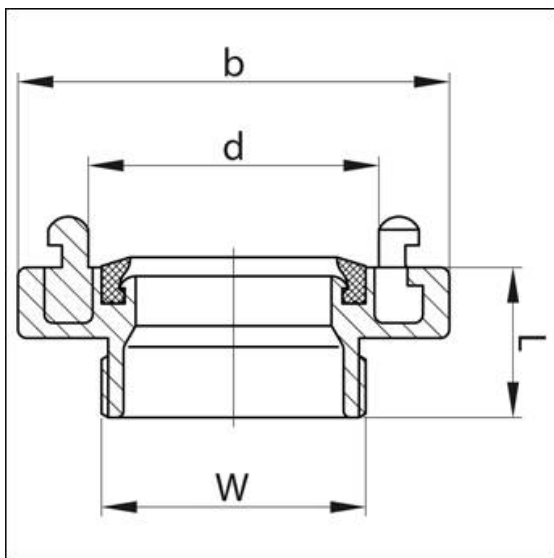


Storz Fittings – Dimensions and Styles – Storz x Male BSP Thread (Storz-SAM)

Model Code	Description	b (mm) Outside Diameter	d (mm) Distance between lugs	W (Thread Name)	L = Length
Storz-SAM10	Storz 25 x 25mm Male BSP	55.17mm	31.00mm	1" or 25mm	30.0mm
Storz-SAM15	Storz 38 x 38mm Male BSP	77.8mm	52.0mm	1 ½" or 38mm	32.0mm
Storz-SAM20	Storz 52 x 50mm Male BSP	98.0mm	66.07mm	2" or 50mm	35.0mm
Storz-SAM2015	Storz 52 x 38mm Male BSP	98.0mm	66.07mm	1 ½" or 38mm	35.0mm
Storz-SAM2025	Storz 52 x 65mm Male BSP	98.0mm	66.07mm	2 1/2" or 65mm	35.0mm
Storz-SAM25	Storz 65 x 65mm Male BSP	118.60	81.1mm	2 1/2" or 65mm	40.0mm
Storz-SAM2515	Storz 65 x 38mm Male BSP	118.60	81.1mm	1 ½" or 38mm	40.0mm
Storz-SAM2520	Storz 65 x 50mm Male BSP	118.60	81.1mm	2" or 50mm	40.0mm
Storz-SAM30	Storz 75 x 75mm Male BSP	125.7mm	89.23mm	3" or 75mm	40.0mm
Storz-SAM3020	Storz 75 x 50mm Male BSP	125.7mm	89.23mm	2" or 50mm	40.0mm
Storz-SAM3025	Storz 75 x 65mm Male BSP	125.7mm	89.23mm	2 1/2" or 65mm	40.0mm
Storz-SAM40	Storz 100 x 100mm Male BSP	155.0mm	115.0mm	4" or 100mm	48.0mm
Storz-SAM50	Storz 125 x 125mm Male BSP	195.0mm	148.0mm	5" or 125mm	82.0mm
Storz-SAM60	Storz 150 x 150mm Male BSP	224.0mm	140mm Tri-Lugged	6" or 150mm	86.0mm

All dimensions are approximate only and subject to change.



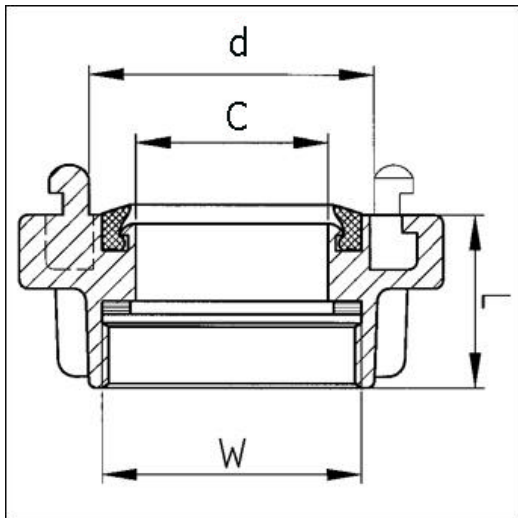
Storz x Male BSP Thread

Storz Fittings – Dimensions and Styles – Storz x Female BSP Thread (Storz-SAF)

Model Code	Description	b (mm) Outside Diameter	d (mm) Distance between lugs	W (Thread Name)	C Actual water passage	L = Length
Storz-SAF10	Storz 25 x 25mm Female BSP	55.17mm	31.00mm	1" or 25mm	18.0mm	30.0mm
Storz-SAF15	Storz 38 x 38mm Female BSP	77.8mm	52.0mm	1 ½" or 38mm	29.6mm	32.0mm
Storz-SAF20	Storz 52 x 50mm Female BSP	98.0mm	66.07mm	2" or 50mm	44.8mm	35.0mm
Storz-SAF2015	Storz 52 x 38mm Female BSP	98.0mm	66.07mm	1 ½" or 38mm	44.8mm	35.0mm
Storz-SAF2025	Storz 52 x 65mm Female BSP	98.0mm	66.07mm	2 1/2" or 65mm	44.8mm	35.0mm
Storz-SAF25	Storz 65 x 65mm Female BSP	118.60	81.1mm	2 1/2" or 65mm	55.0mm	40.0mm
Storz-SAF2515	Storz 65 x 38mm Female BSP	118.60	81.1mm	1 ½" or 38mm	55.0mm	40.0mm
Storz-SAF2520	Storz 65 x 50mm Female BSP	118.60	81.1mm	2" or 50mm	55.0mm	40.0mm
Storz-SAF30	Storz 75 x 75mm Female BSP	125.7mm	89.23mm	3" or 75mm	65.0mm	40.0mm
Storz-SAF3020	Storz 75 x 50mm Female BSP	125.7mm	89.23mm	2" or 50mm	65.0mm	40.0mm
Storz-SAF3025	Storz 75 x 65mm Female BSP	125.7mm	89.23mm	2 1/2" or 65mm	65.0mm	40.0mm
Storz-SAF40	Storz 100 x 100mm Female BSP	155.0mm	115.0mm	4" or 100mm	89.00mm	48.0mm
Storz-SAF50	Storz 125 x 125mm Female BSP	195.0mm	148.0mm	5" or 125mm	114.0mm	82.0mm
Storz-SAF60	Storz 150 x 150mm Female BSP	224.0mm	140mm Tri-Lugged	6" or 150mm	126.0mm	86.0mm

All dimensions are approximate only and subject to change.

Storz x Female BSP Thread

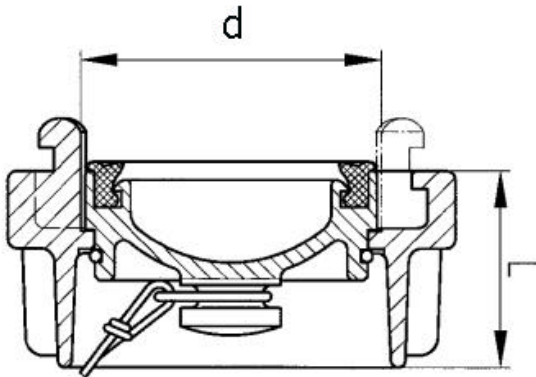


Storz Fittings – Dimensions and Styles – Storz x Blanking Caps with Chain (Storz-SC)

Model Code	Description	b (mm) Outside Diameter	d (mm) Distance between lugs	W (Thread Name)	L = Length
Storz-SC10	Storz 25 Blanking Cap	55.17mm	31.00mm		30.0mm
Storz-SC15	Storz 38 Blanking Cap	77.8mm	52.0mm		32.0mm
Storz-SC20	Storz 52 Blanking Cap	98.0mm	66.07mm		35.0mm
Storz-SC25	Storz 65 Blanking Cap	118.60	81.1mm		40.0mm
Storz-SC30	Storz 75 Blanking Cap	125.7mm	89.23mm		40.0mm
Storz-SC40	Storz 100 Blanking Cap	155.0mm	115.0mm		48.0mm
Storz-SC50	Storz 125 Blanking Cap	195.0mm	148.0mm		82.0mm
Storz-SC60	Storz 150 Blanking Cap	224.0mm	140mm Tri-Lugged		86.0mm

All dimensions are approximate only and subject to change.

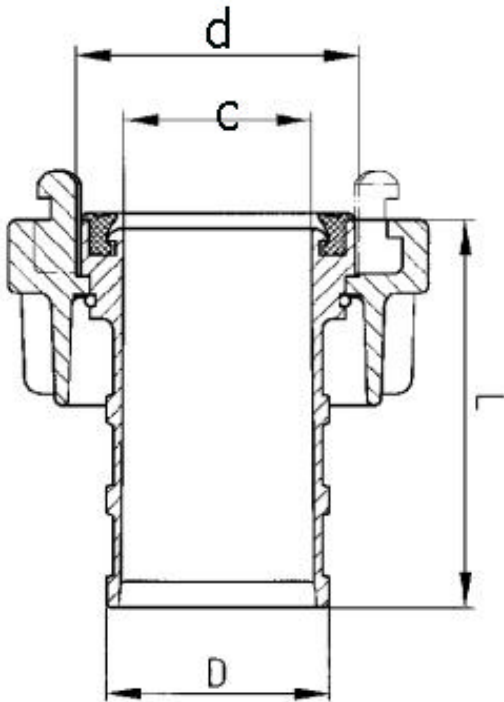
Storz x Female BSP Thread



Storz Fittings – Dimensions and Styles – Storz x Hose Tail (Storz-ST)

Model Code	Description	b (mm) Outside Diameter	d (mm) Distance between lugs	W (Thread Name)	D Diam of hose tail	L = Length
Storz-ST10	Storz 25 x 25mm Hose Tail	55.17mm	31.00mm	1" or 25mm	25mm	54.0mm*
Storz-ST15	Storz 38 x 38mm Hose Tail	77.8mm	52.0mm	1 ½" or 38mm	38mm	92.0mm*
Storz-ST20	Storz 52 x 50mm Hose Tail	98.0mm	66.07mm	2" or 50mm	50mm	92.0mm*
Storz-ST25	Storz 65 x 65mm Hose Tail	118.60	81.1mm	2 ½" or 65mm	65mm	115.0mm*
Storz-ST2515	Storz 65 x 38mm Hose Tail	118.60	81.1mm	1 ½" or 38mm	38mm	115.0mm*
Storz-ST30	Storz 75 x 75mm Hose Tail	125.7mm	89.23mm	3" or 75mm	75mm	127.0mm*
Storz-ST40	Storz 100 x 100mm Hose Tail	155.0mm	115.0mm	4" or 100mm	100mm	135.0mm*
Storz-ST50	Storz 125 x 125mm Hose Tail	195.0mm	148.0mm	5" or 125mm	125mm	147.0mm*
Storz-ST60	Storz 150 x 150mm Hose Tail	224.0mm	140mm Tri-Lugged	6" or 150mm	150mm	175.0mm*

All dimensions are approximate only and subject to change. * length is approximate only.



Storz x Hose Tail