



Plastic Body Liquid Chemical Meter

Model PB

The PB is an angle type, plastic body, multi-jet liquid chemical meter.

Features:

- The impeller is corrosion resistant and is the only moving element that comes in contact with the liquid.
- Electrical output (EV).

Applications

Measuring flow of fertilizer solutions, for agriculture, distilled water, seawater and many other diluted solutions.

Available Sizes

3/4" - 1" (20 - 25mm)

Technical Specifications

Maximum Working Pressure	10 bar
Maximum Working Temperature	50°C
Body	PVC
Connection	1" BSP
Electrical output	1, 10, 100 liter/pulse



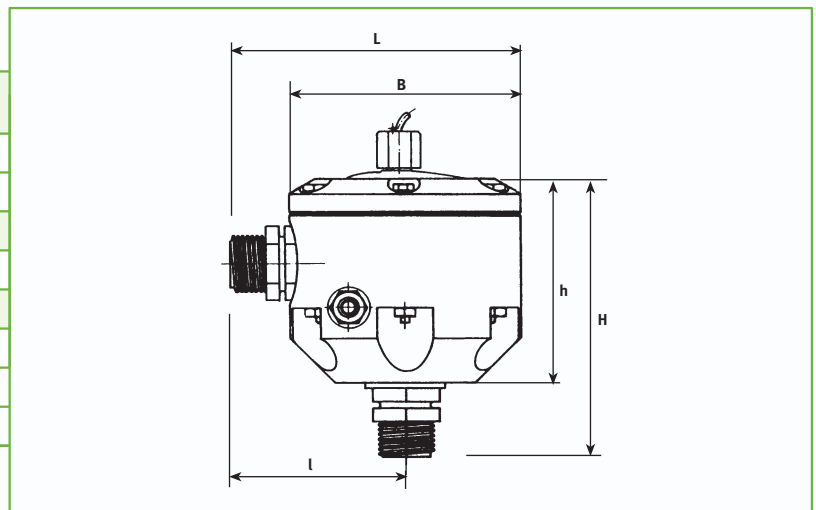


Performance data:

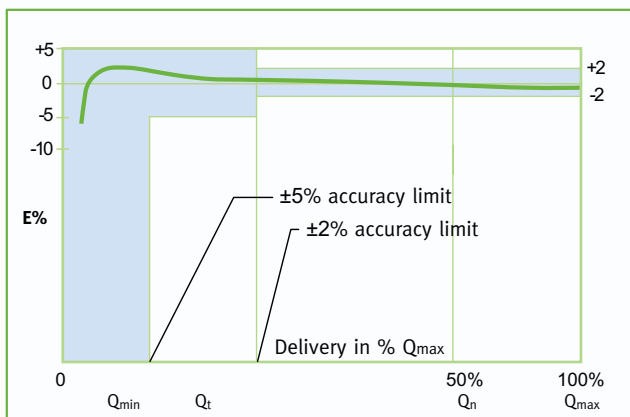
Model PB		Q _{max} Maximum flowrate (m ³ /h)	Q _n Nominal Flowrate (m ³ /h)	Q _t Transitional Flowrate (l/h)	Q _{min} Minimum Flowrate (l/h)	Minimum register capacity (m ³)	Minimum register capacity (liter)	Accuracy between Q _{max} & Q _t	Accuracy between Q _t & Q _{min}
Nominal Size									
mm	inch								
20	3/4	5	2.5	200	50	10 ⁵	0.1	±2	±5
25	1	10	5	400	100	10 ⁵	0.1		

Dimensions

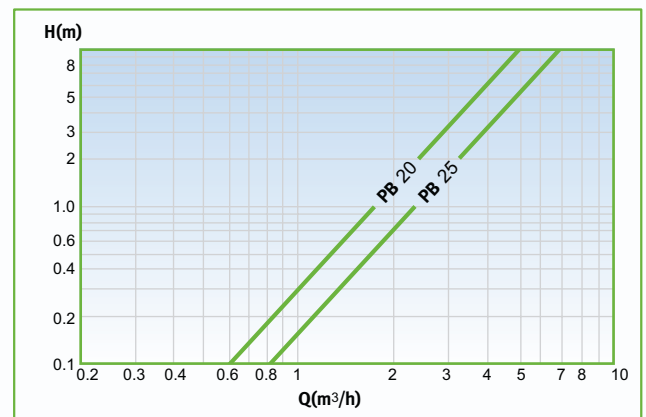
Model		PB	
Nominal size	(mm)	20	25
	(inch)	3/4	1
L – Length (mm)		150	
l – Length (mm)		90	
H – Height (mm)		150	
h – Height (mm)		115	
B – Width (mm)		120	
Weight (kg)		0.875	



Accuracy Curve



Head Loss Curve



Installation Requirements

The meter should be installed with dial face in horizontal position.

