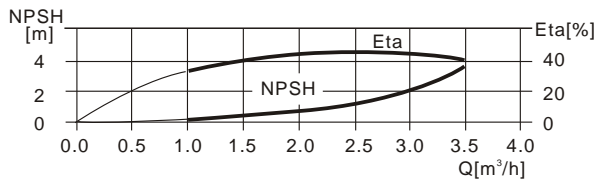
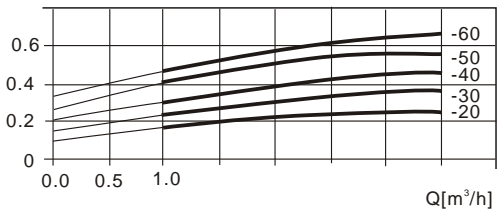
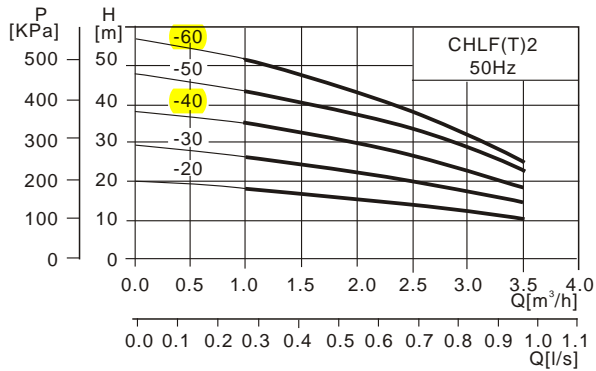
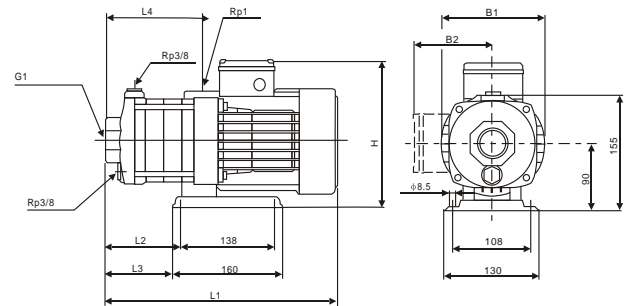


Performance curve



J-Pump LF2-40/60

Installation sketch



Size and weight

Pump type	Motor type		L1 [mm]		L2 [mm]	L3 [mm]	L4 [mm]	B1 [mm]	B2 [mm]		H [mm]		Net weight [kg]	
	1-phase	3-phase	1-phase	3-phase					1-phase	3-phase	1-phase	3-phase	1-phase	3-phase
J-Pump LF(T)2-20	MG 71	MG 71	304	304	74	63	99	146	115	110	205	200	9.6	11.1
J-Pump LF(T)2-30			324	322	92	81	117	146	115	110	205	200	9.6	10.7
J-Pump LF(T)2-40			340	340	110	99	135	146	115	110	205	200	10.9	11.0
J-Pump LF(T)2-50			358	358	128	117	154	146	115	110	205	200	11.3	11.5
J-Pump LF(T)2-60			376	376	146	135	172	146	115	110	205	200	11.6	11.8

Performance table

Model	Driving motor (KW)	Q (M³/h)	0.5	1.0	1.5	2.0	2.5	3.0	3.5
J-Pump LF(T)2-20	0.37	H (m)	19	18	16	14	13	11	9
J-Pump LF(T)2-30	0.55		28	27	24	21	20	17	14
J-Pump LF(T)2-40	0.55		36	34	32	28	26	23	17
J-Pump LF(T)2-50	0.55		46	43	40	35	33	28	22
J-Pump LF(T)2-60	0.75		54	50	48	42	38	33	25