

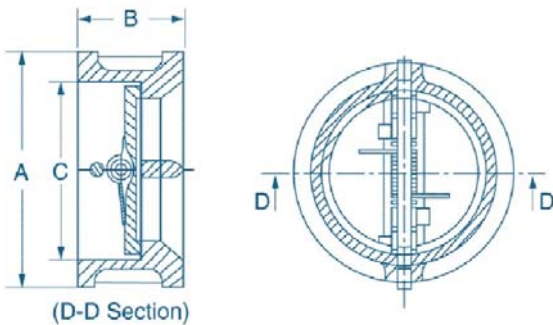
# DUO Wafer Check

NBR Rubber Gasket for Easy Flange Mounting



BODY : CAST IRON  
 DISC : STAINLESS STEEL  
 PINS : STAINLESS STEEL  
 SPRINGS : STLESS STEEL  
 SEAT : EPDM

<b>nominal pressure</b>	1600 kPa
<b>temp</b>	-10 to 120°C
<b>suitable media</b>	water, oil, gas



Nominal size mm	A	B	C
50	98	54	60
65	111	54	73
80	130	57	89
100	162	64	114
125	194	70	141
150	216	76	168
200	273	95	219
250	337	108	273
300	384	143	324
350	448	184	356

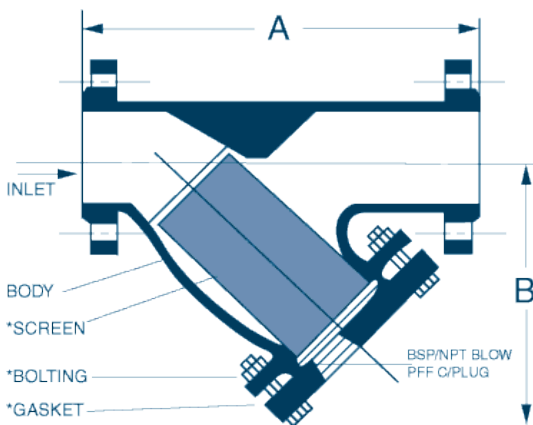
# CAST IRON Y-Strainer

Epoxy Coated. Conforms to AS2129 Table D or E



BODY : CAST IRON  
 COVER : CAST IRON  
 SCREEN : STAINLESS STEEL  
 GASKET : PTFE / GRAPHITE  
 PLUG : MALEABLE IRON

DN50 up to DN300	Steam	880kPa @ 232°C
DN350 up to DN500	Steam	880kPa @ 120°C
DN50 up to DN300	WOG	1600kPa @ 65°C
DN350 up to DN500	WOG	1000kPa @ 65°C



\*Denotes recommended spare parts

nominal size mm	A mm	B mm	blow off BSP	weight (kg)
50	225	155	1/2"	10
65	273	205	1"	16
80	295	215	1"	23.5
100	352	245	1"	34
125	416	295	1 1/4 "	52
150	470	320	1 1/2 "	70
200	543	415	1 1/2 "	110
250	660	485	2"	185
300	762	560	2"	295
350	950	780	2"	370
400	1080	840	2"	556
450	1168	902	2"	1022
500	1275	991	2"	1621