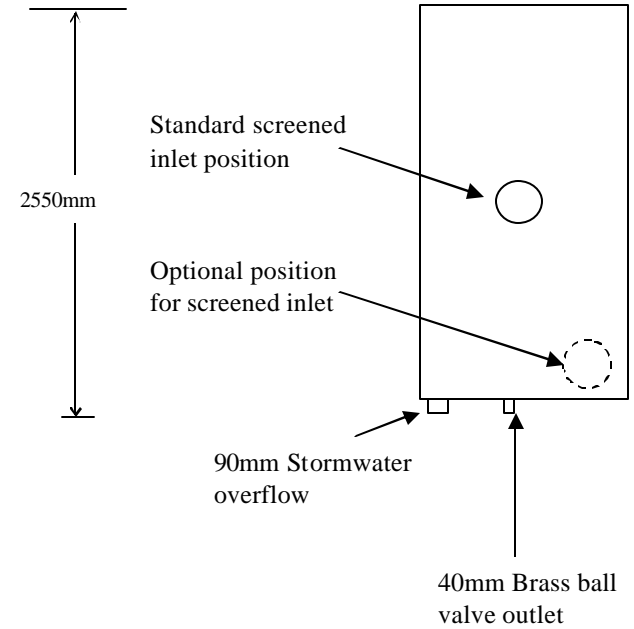
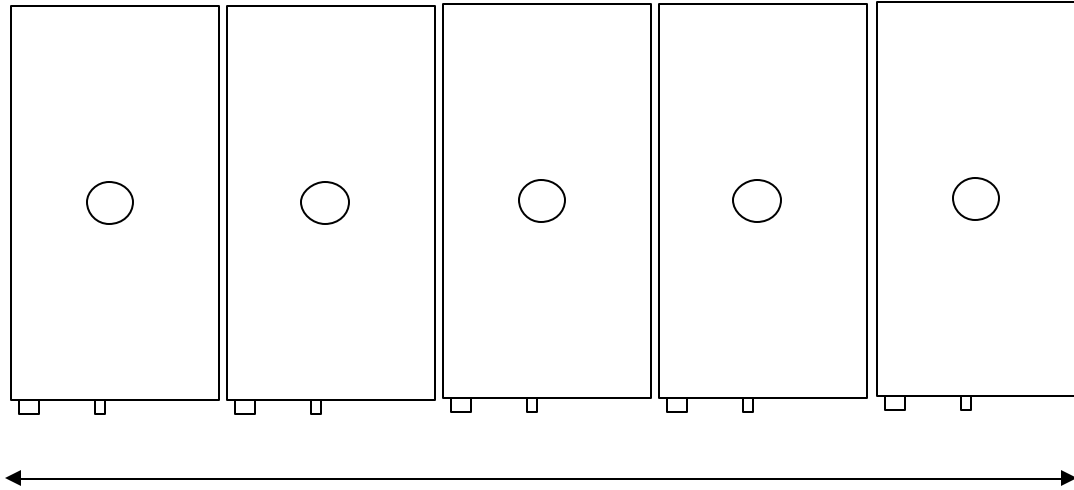
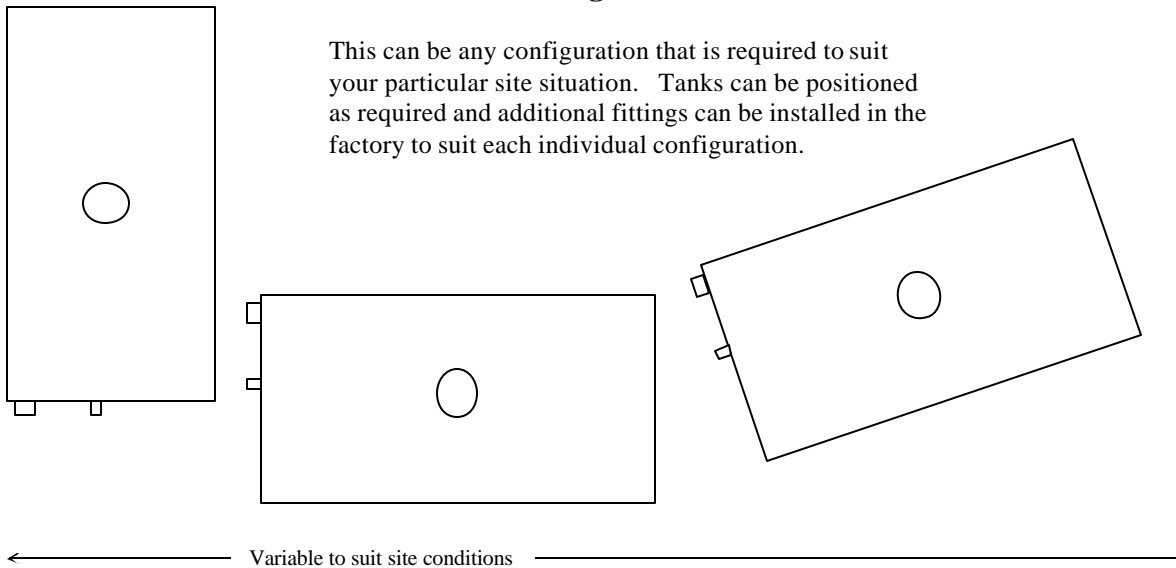


Side-by-side configuration



Non Uniform configuration

This can be any configuration that is required to suit your particular site situation. Tanks can be positioned as required and additional fittings can be installed in the factory to suit each individual configuration.



Irrigation Warehouse Group Pty Ltd
Rectangular Tank configurations 1800L & 2000L
404 Grey St Glen Innes NSW 2370
Ph 02 6732 6333 Fax)2 6732 6311
Email: robert@irrigationwarehouse.com.au