



# Model PRC

## PRESSURE REDUCING VALVE

### (36C SERIES)

<b>Job Name:</b>	<b>Contractor:</b>
<b>Job Location:</b>	<b>P.O. Number:</b>
<b>Engineer:</b>	<b>Representative:</b>
<b>Tag:</b>	<b>Wholesale Distributor:</b>

### DESCRIPTION

The Apollo® Model PRC (36C Series) Pressure Reducing Valves are designed to protect residential and commercial water distribution systems by automatically controlling excessive pressure changes. The valves integral thermoplastic cage provides maximum corrosion resistance. Designed for easy in-line servicing with bottom cleanout access to seat disc and strainer.

### FEATURES

- Low Lead Option
- Balanced Piston Design
- Built-in Thermal Expansion By-Pass
- Easy Access to Seat Disc and Strainer
- Control Pressure Range 10-125 psi
- NPT, Solder, PEX, CPVC connections
- 100% Manufactured in USA

### MATERIAL SPECIFICATIONS

Part Name	Material
Body	Bronze, ASTM B584
Tailpiece	Brass, ASTM B16
Screen	Stainless Steel
Cap	Glass Filled Celcon®
Diaphragm	FDA grade EPDM
Seat disc	FDA grade EPDM
Stem / Adjusting Screw	Brass, ASTM B-16
Spring	Music Wire ASTM 228
O-Rings	FDA grade Nitrile

### PERFORMANCE RATING

Maximum Supply Pressure: 400 psig  
 Std. Temperature Range 33°F – 180°F  
 Maximum Set Pressure: 125psig

### APPROVALS:



1003



B356



### MODEL PRC

#### UNION

- BLANK** – Single Union
- E** – Extended Union
- D** – Double Union
- T** – No Union (Threaded Only)

#### GAUGE

- BLANK** – No Gauge Port
- P** – Plugged Gauge Port
- G** – W/ Pressure Gauge

#### PRESSURE RANGE

- BLANK** – 25–75 PSIG
- L** – 10-35 PSIG
- H** – 75-125 PSIG

#### MISCELLANEOUS OPTIONS

- A** – Stainless Steel Trim

#### SIZE

- 12 = 1/2"
- 34 = 3/4"
- 1 = 1"

#### END CONNECTION

- BLANK** –FNPT x FNPT

#### Single Union

- S** - Solder x FNPT
- C** – CPVC x FNPT
- X** – PEX x FNPT
- M** – METER X FNPT
- E** – 90 ELBOW x FNPT

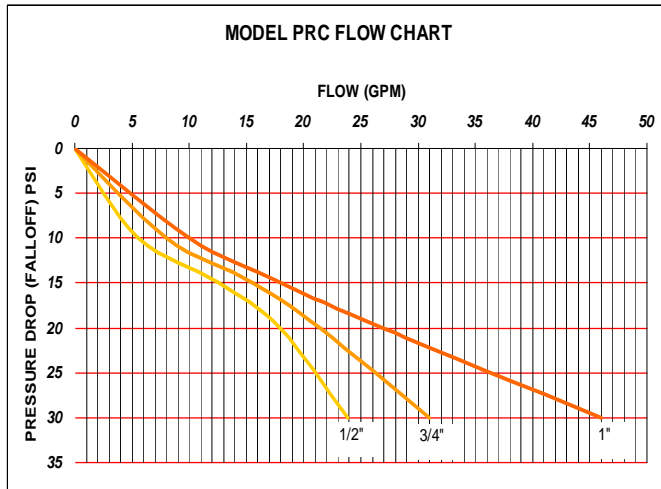
#### Double Union

- S** – Solder x Solder
- C** – CPVC x CPVC
- X** – PEX x PEX
- B** – BSPT x BSPT
- SC** – Solder x CPVC
- SX** – Solder x PEX
- CX** – CPVC x PEX
- CE** – CPVC x Elbow
- SE** – Solder x Elbow

Conbraco Industries, Inc. 701 Matthews Mint Hill Rd. Matthews NC 28106 USA; [www.apollovalves.com](http://www.apollovalves.com) ; 704-841-6000

This specification is provided for reference only. Conbraco reserves the right to change any portion of this specification without notice and without incurring obligation to make such changes to Conbraco products previously or subsequently sold.

## FLOW AND SIZING INFORMATION



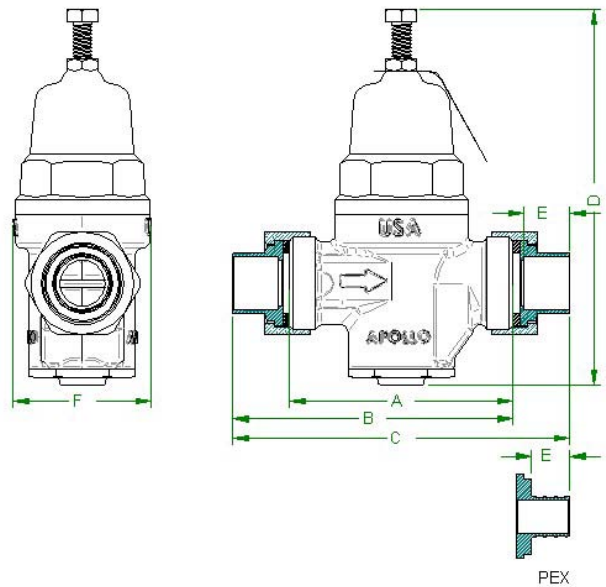
## WATER CAPACITY (GPM)

PIPE SIZE	FALL-OFF (PSI)	PRESSURE DIFFERENTIAL (PSI)		
		25	50	75
1/2"	5	1.3	1.5	1.7
	10	4.7	5.5	6.3
	15	10.6	12.5	14.4
3/4"	5	2.1	2.5	2.9
	10	6.8	8	9.2
	15	13.2	15.5	17.8
1"	5	2.8	3.3	3.7
	10	8.5	10	11.5
	15	15.3	18	20.7

## DIMENSIONAL INFORMATION

CONNECT TYPE	SIZE (in)	DIMENSIONS (IN.)						WT. (Union) (lbs. EA)
		A	B	C	D	E	F	
THREAD	1/2"	3-5/8	4-1/2	5-3/8	6	5/8	2-3/4	3.5
SOLDER	1/2"	3-5/8	4-1/2	5-1/2	6	1/2	2-3/4	3.4
PEX	1/2"	3-5/8	4-1/2	5-1/2	6	5/8	2-3/4	3.3
CPVC	1/2"	3-5/8	4-1/4	5	6	1/2	2-3/4	3.1
THREAD	3/4"	3-5/8	4-1/2	5-1/2	6	5/8	2-3/4	3.4
SOLDER	3/4"	3-5/8	4-1/2	5-1/2	6	3/4	2-3/4	3.3
PEX	3/4"	3-5/8	4-5/8	5-5/8	6	5/8	2-3/4	3.2
CPVC	3/4"	3-5/8	4-1/2	5-1/2	6	5/8	2-3/4	3
THREAD	1"	3-3/4	4-5/8	5-3/4	6	5/8	3-3/8	4.5
SOLDER	1"	3-3/4	4-5/8	5-3/4	6	7/8	3-3/8	4.4
PEX	1"	3-3/4	4-3/4	6	6	3/4	3-3/8	4.3

Nominal dimensions are shown. Allowances must be made for manufacturers' tolerances.



## ORDER NUMBER MATRIX

--	--	--	--	--	--

36C	X CONNECTION	XX SIZE	X GAUGE	X PRESSURE	X OPTION
	1- SINGLE UNION NPT	03 - 1/2"	0 - W/O GAUGE	1- 25-75 PSI RANGE	C- CPVC TAILPIECE
	2- NO UNION NPT	04 - 3/4"	P - WITH GAUGE PORT PLUG	2- 10-35 PSI RANGE	S- STAINLESS TRIM
	3- SINGLE UNION SOLDER X NPT	05 - 1"	G- WITH GAUGE	3- 75-125 PSI RANGE	X- EXTENDED UNION
	4- DOUBLE UNION NPT				
	5- DOUBLE UNION SOLDER				
	6- SINGLE UNION METER				
	7- SINGLE UNION 90ELBOW METER				
	9- DOUBLE UNION PEX				

## JUMP KIT

FOR USE DURING SYSTEM STARTUP AND OVERPRESSURIZATION

Kit Number	Size	Adapter
36C304.IKF	3/4"	Threaded
36C305JKF	1"	Threaded
36C304.JKS	3/4"	Solder
36C305.JKS	1"	Solder
36C304.IKC	3/4"	CPVC
36C305.JKC	1"	CPVC



Conbraco Industries, Inc. 701 Matthews Mint Hill Rd. Matthews NC 28106 USA; [www.apollovalves.com](http://www.apollovalves.com); 704-841-6000

This specification is provided for reference only. Conbraco reserves the right to change any portion of this specification without notice and without incurring obligation to make such changes to Conbraco products previously or subsequently sold.